



THE RITZ-CARLTON

SHANGHAI, PUDONG



CONFERENCE



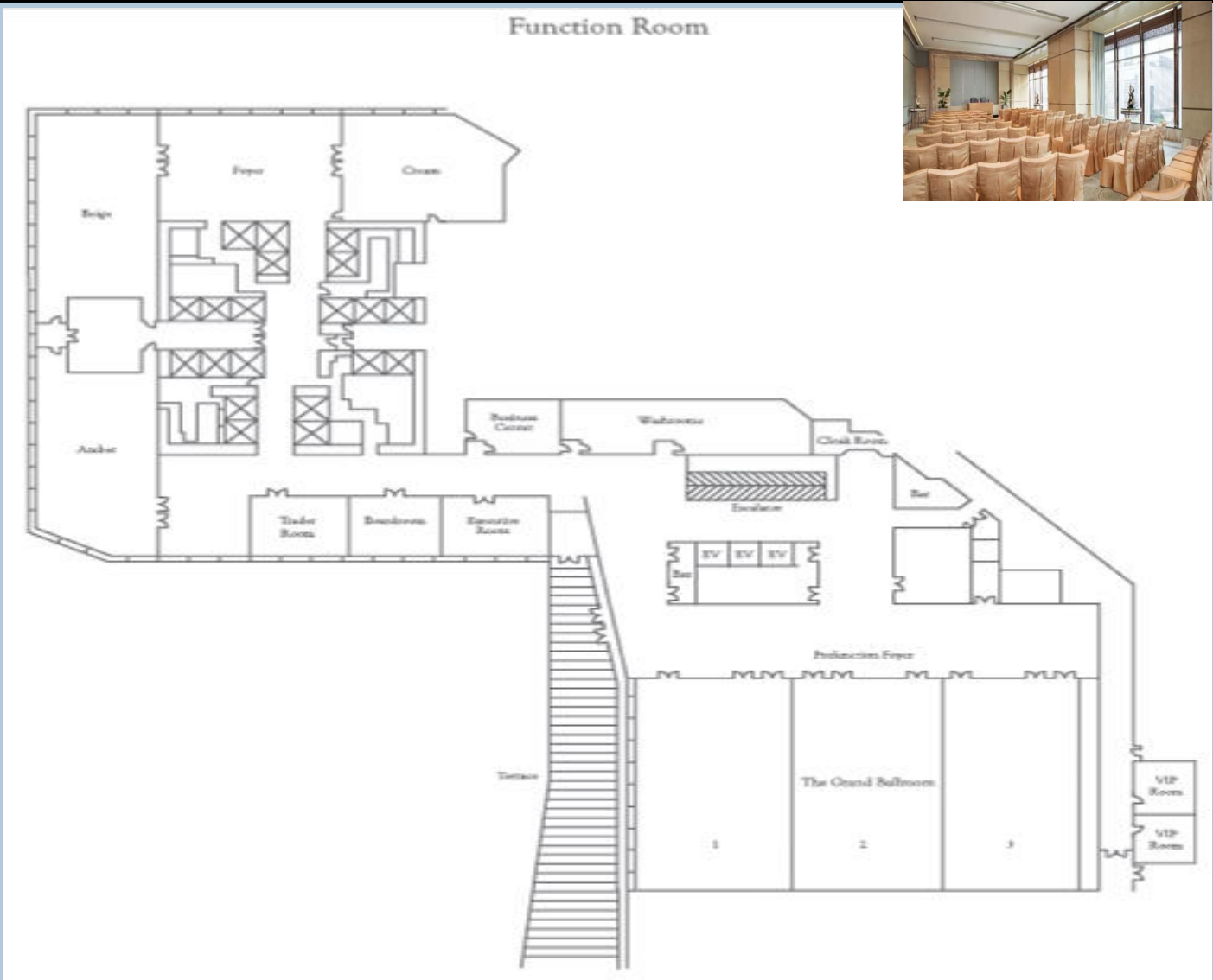
BANQUETING

FIRST FLOOR LOBBY



THE RITZ-CARLTON

CONFERENCE AREA FLOOR PLAN (3rd Floor)

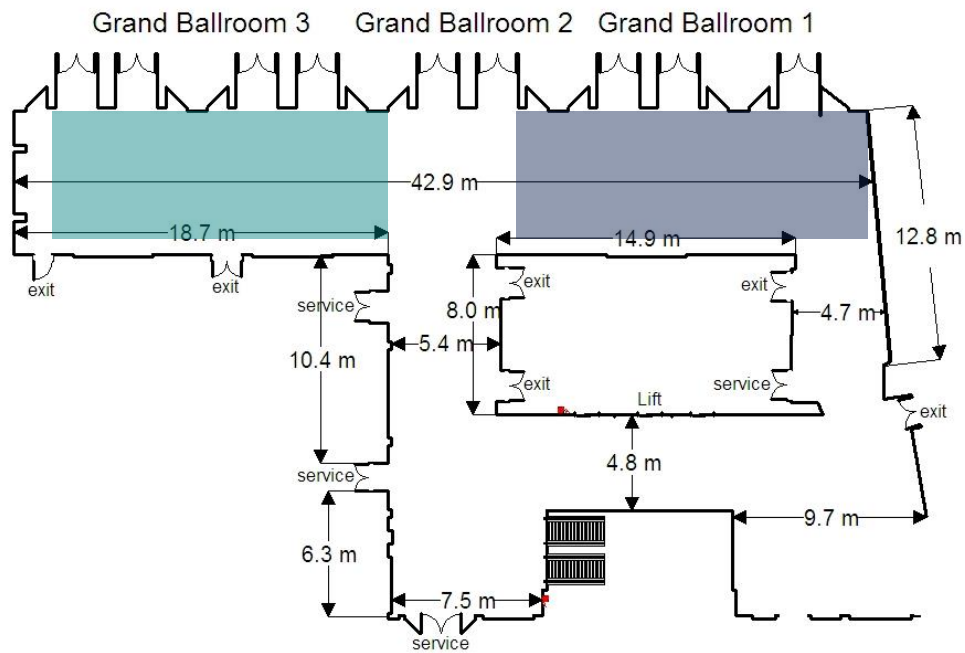


CONFERENCE SPACE & CAPACITY CHART

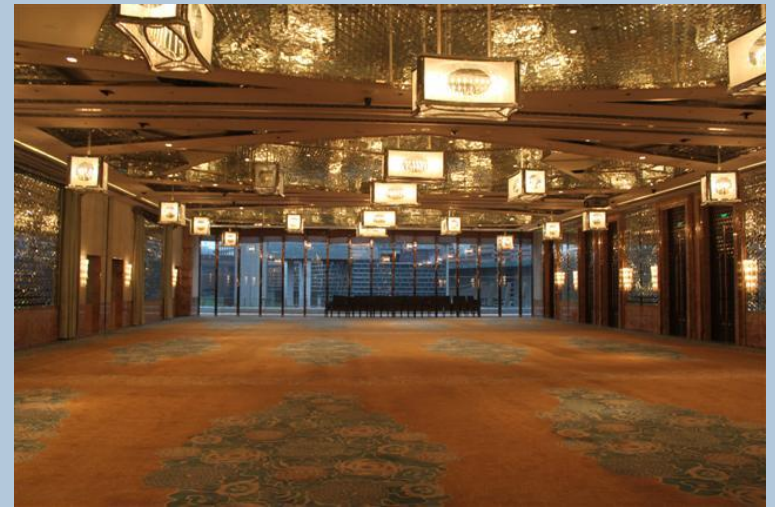
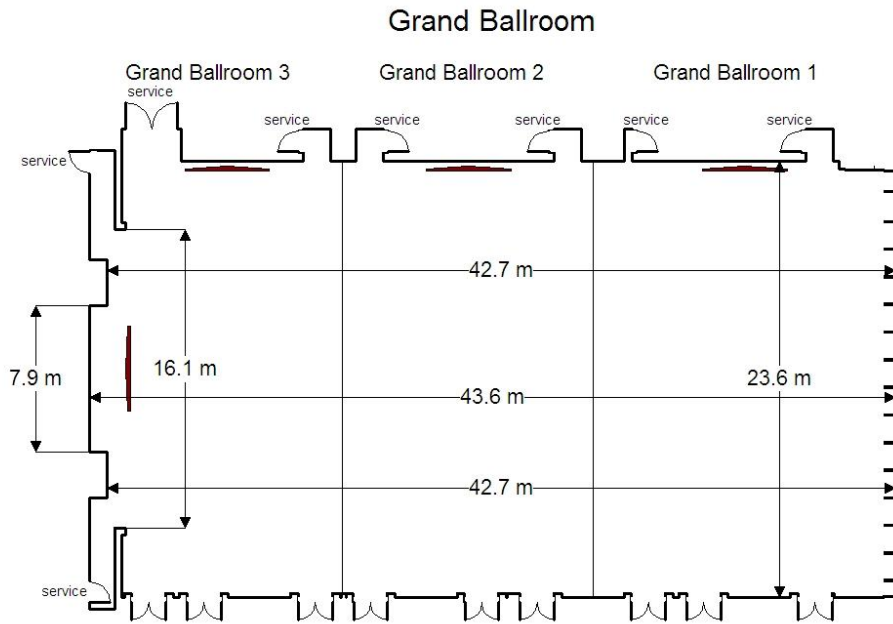
Meeting Space	Area		Dimensions		Ceiling Height		Banquet Rounds (10pax)	Theater	Reception	Classroom	U-Shape	Hollow Square
	Square Feet	Square Meters	Feet	Meters	Feet	Meters						
The Grand Ballroom	12,200	1,135	138 x 89	42 x 27	24.27	7.4	700	1188	1200	648	111	156
Ballroom 1	4,357.16	405	50 x 89	15 x 27	24.27	7.4	270	400	400	252	78	90
Ballroom 2	3,921.43	365	45 x 89	14 x 27	24.27	7.4	240	360	360	216	75	84
Ballroom 3	3,921.43	365	45 x 89	14 x 27	24.27	7.4	240	360	360	216	75	84
Ballroom 1+2	8,278.58	770	95 x 89	29 x 27	24.27	7.4	540	740	750	468	99	132
Ballroom 2+3	7,842.87	730	90 x 89	28 x 27	24.27	7.4	480	720	720	432	90	126
Ballroom Foyer	4,357.15	405	148 x 30	45 x 9	15.41	4.7	---	---	430	---	---	---
Amber	2,461.37	230	72 x 34	22 x 11	15.41	4.7	120	220	240	120	57	66
Beige	2,130.16	198	59 x 36	18 x 11	15.41	4.7	120	210	208	120	57	66
Cream	1,822.56	170	44 x 41	14 x 12	15.41	4.7	80	170	180	72	30	42
Meeting Room Foyer	1,703.89	158	40 x 43	12 x 13	15.41	4.7	---	---	170	---	---	---
Board Room	694.67	65	30 x 23	9 x 7	15.41	4.7	董事会议形式容纳12人 Seats 12 persons boardroom style meeting					
Traders Room	694.67	65	30 x 23	9 x 7	15.41	4.7	24	40	60	24	24	30
The Executive Room	979.5	91	43 x 23	13 x 7	15.41	4.7	40	90	60	42	30	34

FOYER

Grand Ballroom Foyer



Grand Ballroom



Grand Ballroom-Ceiling

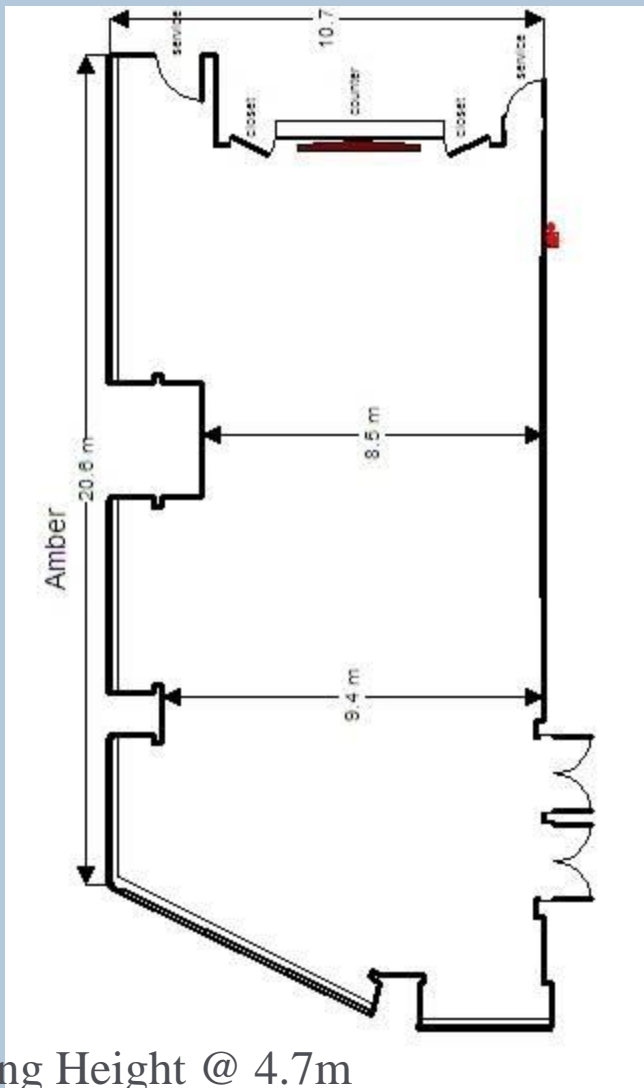


4.1m

4.8m

5 m

Amber



Ceiling Height @ 4.7m



Classroom 120pax

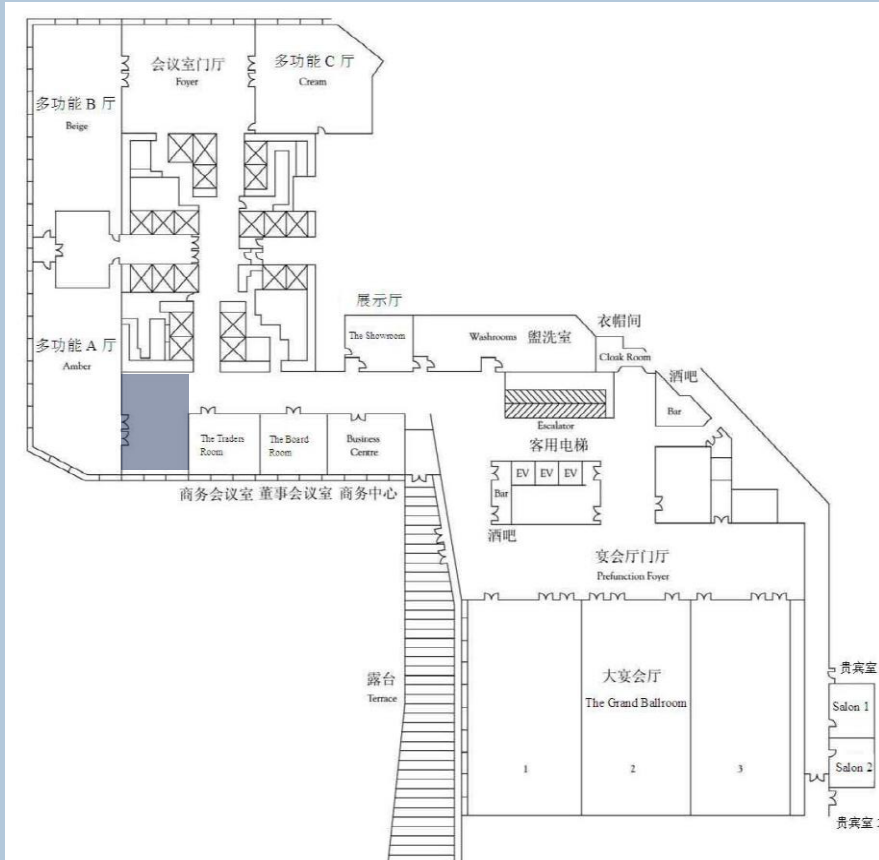


Rounds 120pax

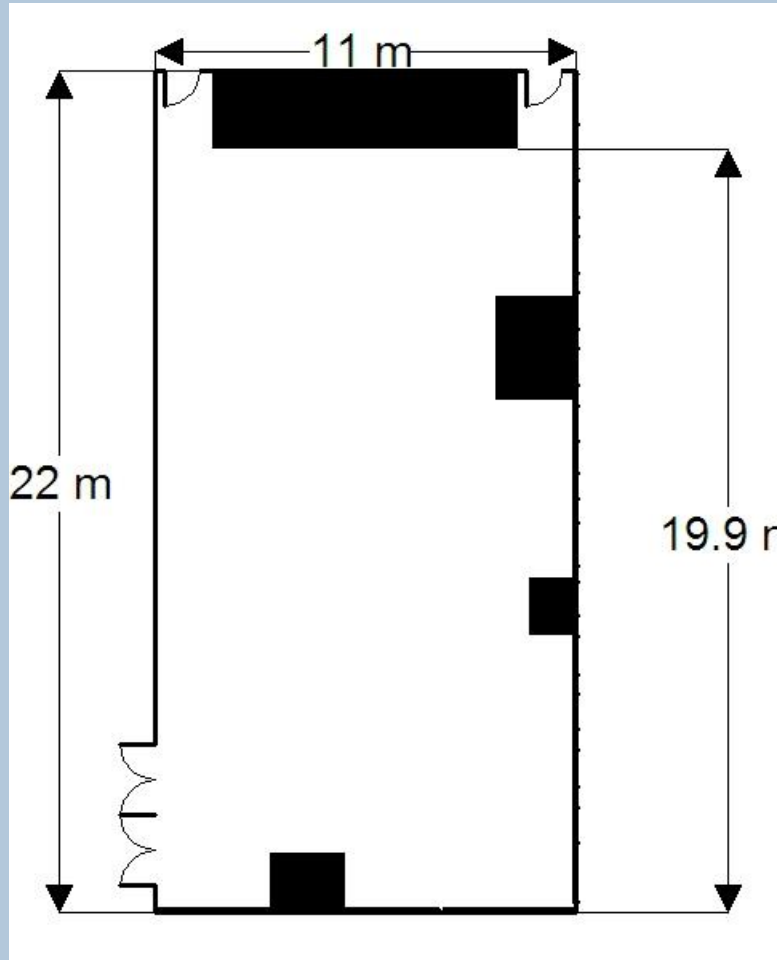


Theatre 220pax

Amber Foyer



Beige Room



Ceiling Height @ 4.7m



Classroom 120pax

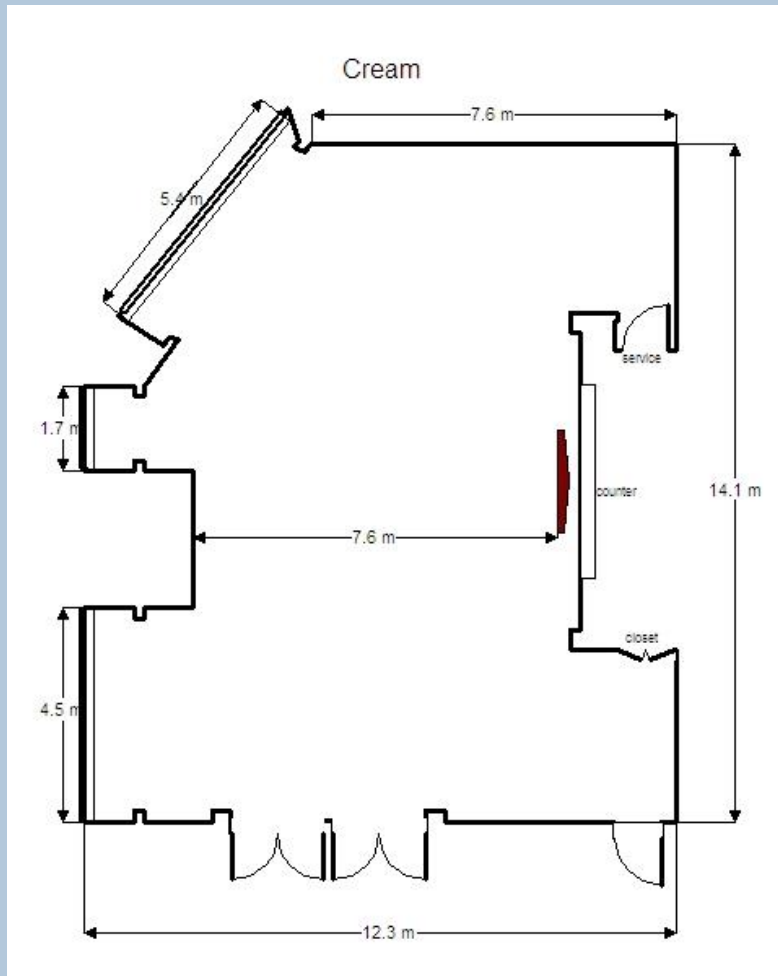


Rounds 120pax



Theatre 210pax

Cream Room



Classroom 72pax



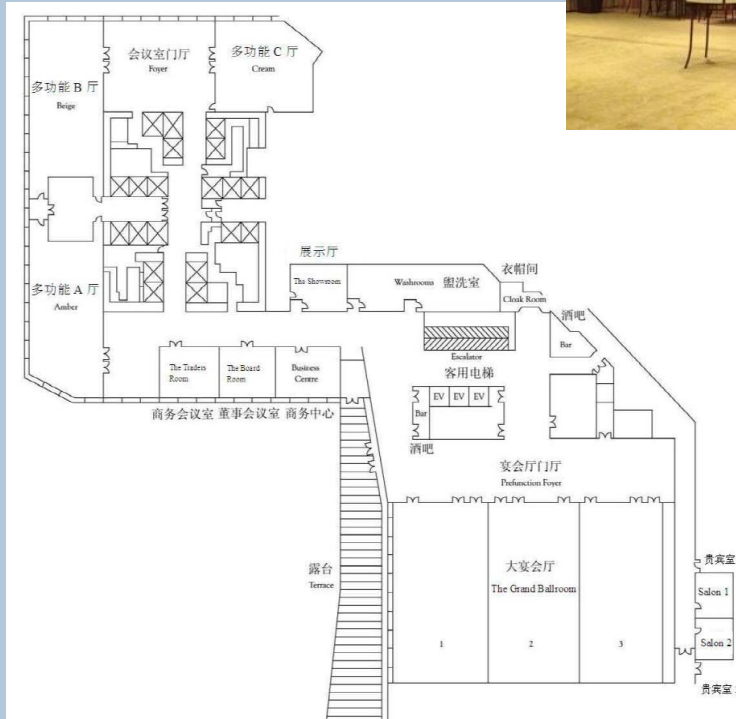
Rounds 80pax



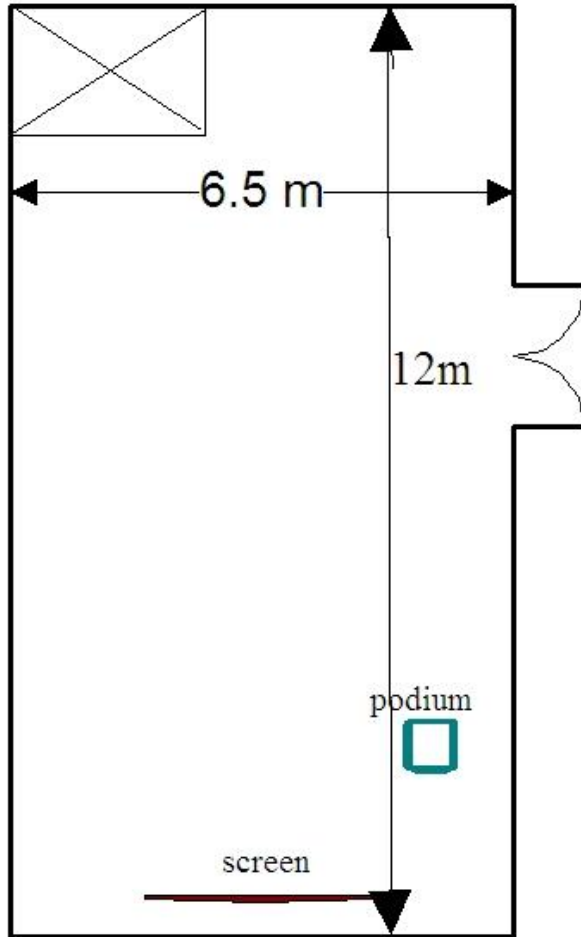
Theatre 170pax

Ceiling Height @ 4.7m

Beige & Cream Foyer



Executive Room



Classroom 42pax



Rounds 40pax

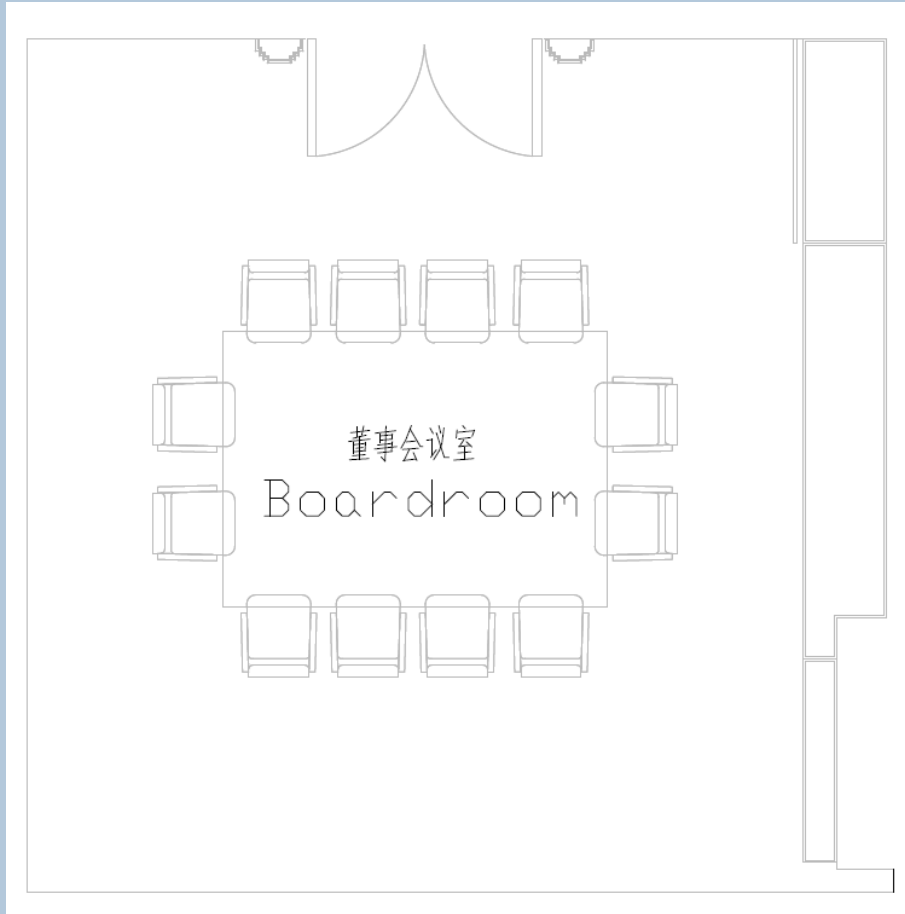


Theatre 90pax

Ceiling Height @ 4.7m

THE RITZ-CARLTON

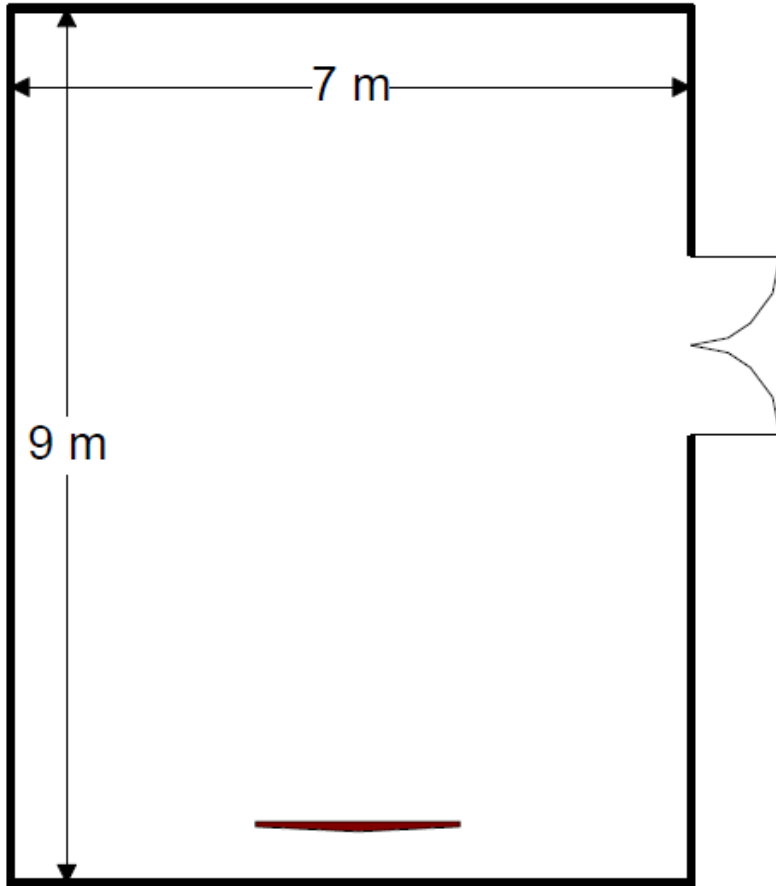
Board Room



Existing 12pax

Ceiling Height @ 4.7m

Traders Room



Hollow 24pax



VIP 10pax



Theatre 55pax

Ceiling Height @ 4.7m

LET
US
STAY
WITH
YOU

